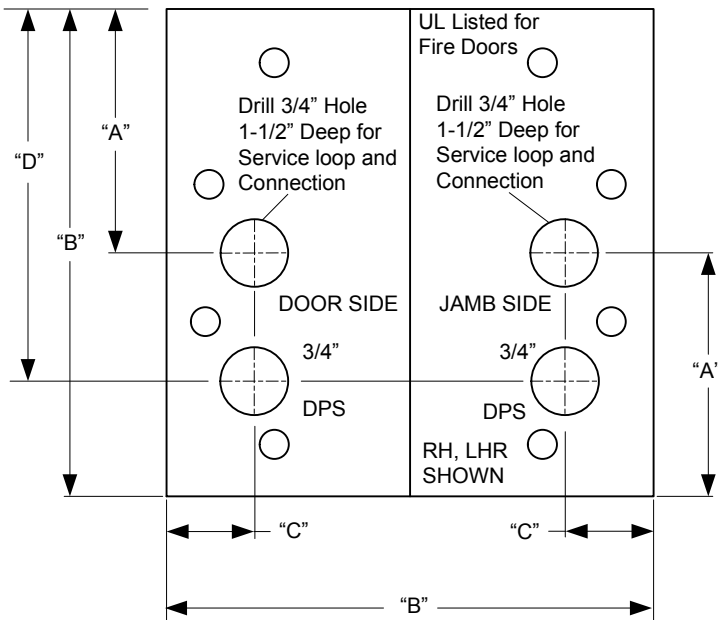




TEMPLATE, POWER TRANSFER HINGE PTH SERIES

This is a dimensional drawing only.

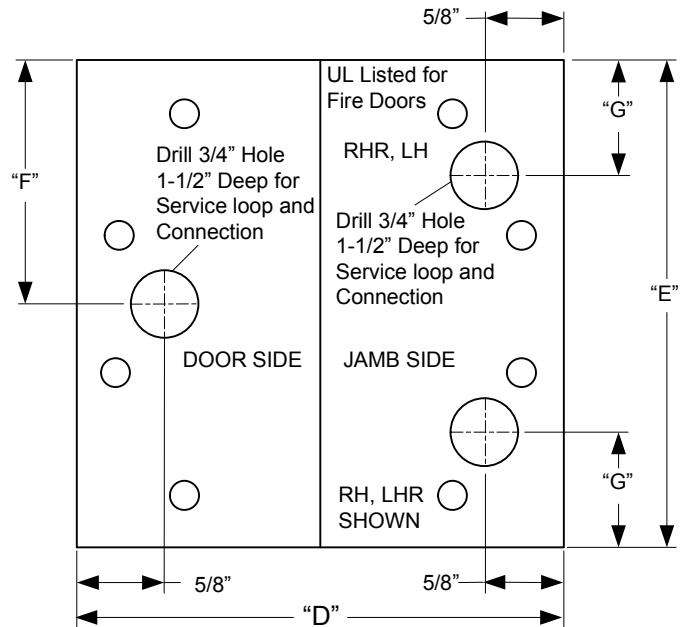
NOT TO SCALE



DIMENSION CHART 5 KNUCKLE STANDARD WEIGHT

4" x 4" – A = 2" B = 4" C = 13/16"
4.5" x 4" – A = 2.25" B = 4" C = 13/16" D = 3-7/16"
4-1/2" x 4-1/2" – A = 2-1/4" B = 4-1/2" C = 13/16"
5" x 5" – A = 2-1/2" B = 5" C = 13/16"

Wire Color Code for monitor switch: Switch Rating:
YEL – N/O 250 mA, 30 VDC
GRY – COM
ORG – N/C



DIMENSION CHART 4-1/2", 5 KNUCKLE HEAVY WEIGHT

E = 4-1/2" F = 2-1/4" G = 1"
4-1/2" x 4" ~ D = 4"
4-1/2" x 4-1/2" ~ D = 4-1/2"
4-1/2" x 5" ~ D = 5"
4-1/2" x 6" ~ D = 6"

DIMENSION CHART 5", 5 KNUCKLE HEAVY WEIGHT

E = 5" F = 2-1/2" G = 1-1/16"
5" x 4" ~ D = 4"
5" x 4-1/2" ~ D = 4-1/2"
5" x 5" ~ D = 5"
5" x 6" ~ D = 6"

A maximum of 1 Power Transfer Hinge shall be installed in a given door assembly.
Electric hinges are non-load bearing and must be mounted in the center hinge position only.
Do not disassemble hinge. Disassembly voids warranty.
Do not force hinge into prep. Binding hinges will shorten life and damage hinge.
Do not hang hinge from wires. Damage can occur.
After connections are made, slide wire through holes, making sure that wires are not pinched or rubbing on sharp edges.

ELECTRICAL DATA

4 WIRE – 24 Volts AC/DC @ 1 Amp
PTH 2+4 6 WIRE – 24 Volts AC/DC @ 1 Pair 16 Amp inrush, 4 Amp continuous 2 Pair 24 volts AC/DC @ 1 Amp
10 WIRE – 24 Volts AC/DC @ 1 Amp

Any suggestions or comments to this instruction or product are welcome. Please contact us through our website or email engineer@sdsecurity.com